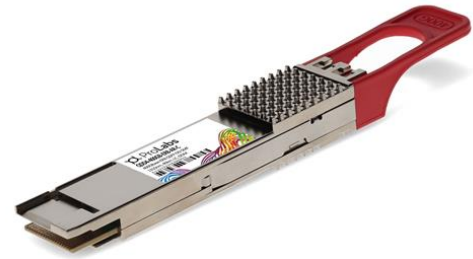


## QDD4-400GB-ER8-AR-C

Arista Networks® Compatible TAA 400GBase-ER8 PAM4 QSFP-DD Transceiver (SMF, 1270nm to 1330nm, 40km, LC, DOM, CMIS 4.0)

### Features:

- Compliant with IEEE std 802.3cn-2019
- Compliant with QSFP-DD MSA HW Rev 5.1
- Compliant with QSFP-DD CMIS Rev 4.0
- Power dissipation <14W
- Maximum link length of 40km on Single Mode Fiber (SMF)
- 8x50G PAM4 retimed 400GAUI-8 electrical interface
- Operating Case Temperature 0 to 70 Celsius
- Class 1/1M Laser
- Duplex LC receptacles
- I2C management interface
- RoHS Compliant and Lead-Free



### Applications:

- 400GBase Ethernet
- Access and Enterprise

### Product Description

This Arista Networks® QSFP-DD transceiver provides 400GBase-ER8 throughput up to 40km over single-mode fiber (SMF) using a wavelength of 1270nm to 1330nm via an LC connector. It is guaranteed to be 100% compatible with the equivalent Arista Networks® transceiver. This easy to install, hot swappable transceiver has been programmed, uniquely serialized and data-traffic and application tested to ensure that it will initialize and perform identically. Digital optical monitoring (DOM) support is also present to allow access to real-time operating parameters. This transceiver is Trade Agreements Act (TAA) compliant. We stand behind the quality of our products and proudly offer a limited lifetime warranty.

ProLabs' transceivers are RoHS compliant and lead-free.

TAA refers to the Trade Agreements Act (19 U.S.C. & 2501-2581), which is intended to foster fair and open international trade. TAA requires that the U.S. Government may acquire only "U.S. – made or designated country end products."



## Regulatory Compliance

- ESD to the Electrical PINs: compatible with MIL-STD-883E Method 3015.4
- ESD to the LC Receptacle: compatible with IEC 61000-4-3
- EMI/EMC compatible with FCC Part 15 Subpart B Rules, EN55022:2010
- Laser Eye Safety compatible with FDA 21CFR, EN60950-1& EN (IEC) 60825-1,2
- RoHS compliant with EU RoHS 2.0 directive 2015/863/EU

## Absolute Maximum Ratings

| Parameter                          | Symbol           | Min.  | Typ.    | Max.                 | Unit | Notes |
|------------------------------------|------------------|-------|---------|----------------------|------|-------|
| Storage Temperature                | T <sub>s</sub>   | -40   |         | 85                   | °C   |       |
| Maximum Supply Voltage             | V <sub>cc</sub>  | -0.5  |         | 3.6                  | V    |       |
| Relative Humidity (non-condensing) | RH               | 5     |         | 95                   | %    |       |
| Operating Case Temperature         | T <sub>opr</sub> | 0     |         | 70                   | °C   |       |
| Relative Humidity (non-condensing) | RH               | 5     |         | 85                   | %    |       |
| Control Input Voltage              | V <sub>i</sub>   | -0.3  |         | V <sub>cc</sub> +0.5 | V    |       |
| Control Output Current             | I <sub>o</sub>   | -20   |         | 20                   | mA   |       |
| Signaling Speed per Lane           | DRL              |       | 26.5625 |                      | GBd  |       |
| Operating Distance                 |                  | 0.002 |         | 40                   | km   | 1     |

## Notes:

1. Channel insertion loss is 18dB for 40km.

### Electrical Characteristics (High Speed Signal- compliant with IEEE 802.3 400GAUI-8)

| Parameter   | Symbol             | Min                  | Typ | Max                  | Unit | Notes |
|---|--------------------|----------------------|-----|----------------------|------|-------|
| Supply Voltage  | V <sub>CC</sub>    | 3.135                | 3.3 | 3.465                | V    |       |
| Maximum Power Dissipation                                   | P <sub>D</sub>     |                      |     | 14                   | W    |       |
| Maximum Power Dissipation, Low Power Mode                   | P <sub>DLP</sub>   |                      |     | 1.5                  | W    |       |
| Instantaneous peak current at hot plug                      | I <sub>CC_IP</sub> |                      |     | 5600                 | mA   |       |
| Sustained peak current at hot plug                          | I <sub>CC_SP</sub> |                      |     | 4620                 | mA   |       |
| Control Input Voltage High                                  | V <sub>IH</sub>    | V <sub>CC</sub> *0.7 |     | V <sub>CC</sub> +0.3 | V    |       |
| Control Input Voltage Low                                   | V <sub>IL</sub>    | -0.3                 |     | V <sub>CC</sub> *0.3 | V    |       |
| Two Wire Serial Interface Clock Rate                        |                    |                      |     | 400                  | kHz  |       |
| Power Supply Noise  |                    |                      |     | 66                   | mVpp |       |
| Rx Differential Data Output Load                            |                    |                      | 100 |                      | Ohm  |       |
| <b>Transmitter</b>  |                    |                      |     |                      |      |       |
| AC Common- mode output Voltage (RMS)                        |                    |                      |     | 17.5                 | mV   |       |
| Differential Output Voltage                                 |                    |                      |     | 900                  | mV   |       |
| Near end Eye Height, differential                           |                    | 70                   |     |                      | mV   |       |
| Far-end Eye height, differential                            |                    | 30                   |     |                      | mV   |       |
| Eye width Far end pre-cursor ratio                          |                    |                      |     | 2.5                  | %    |       |
| Differential Termination Mismatch                           |                    |                      |     | 10                   | %    |       |
| Transition Time (min, 20% to 80%)                           |                    | 9.5                  |     |                      | ps   |       |
| DC common mode Voltage                                      |                    | -350                 |     | 2850                 | mV   |       |
| <b>Receiver</b>   |                    |                      |     |                      |      |       |
| Differential pk-pk input Voltage tolerance                  |                    | 900                  |     |                      | mV   |       |
| Differential termination mismatch                           |                    |                      |     | 10                   | %    |       |
| Single-ended voltage tolerance range                        |                    | -0.4                 |     | 3.3                  | V    |       |
| DC common mode Voltage                                      |                    | -350                 |     | 2850                 | mV   |       |
| <b>Low Speed Signal (compliant with QSFP-DD HW Rev 5.1)</b> |                    |                      |     |                      |      |       |
| Module output SCL and SDA                                   | V <sub>OL</sub>    | 0                    |     | 0.4                  | V    |       |
| Module Input SCL and SDA                                    | V <sub>IL</sub>    | -0.3                 |     | V <sub>CC</sub> *0.3 | V    |       |
|   | V <sub>IH</sub>    | V <sub>CC</sub> *0.7 |     | V <sub>CC</sub> +0.5 | V    |       |
| InitMode, ResetL and ModSelL                                | V <sub>IL</sub>    | -0.3                 |     | 0.8                  | V    |       |
|   | V <sub>IH</sub>    | 2                    |     | V <sub>CC</sub> +0.3 | V    |       |
| IntL  |                    | 0                    |     | 0.4                  | V    |       |
|   |                    | V <sub>CC</sub> -0.5 |     | V <sub>CC</sub> +0.3 | V    |       |

## Optical Characteristics

| Parameter   | Symbol     | Min            | Typical | Max     | Unit    | Notes |  |
|---|------------|----------------|---------|---------|---------|-------|--|
| <b>Transmitter</b>  |            |                |         |         |         |       |  |
| <b>Transmit wavelengths</b>   | L0         | $\lambda_{c0}$ | 1272.55 | 1273.55 | 1274.54 | nm    |  |
|   | L1         | $\lambda_{c1}$ | 1276.89 | 1277.89 | 1278.89 | nm    |  |
|   | L2         | $\lambda_{c2}$ | 1281.25 | 1282.26 | 1283.27 | nm    |  |
|   | L3         | $\lambda_{c3}$ | 1285.65 | 1286.67 | 1287.68 | nm    |  |
|   | L4         | $\lambda_{c4}$ | 1294.53 | 1295.56 | 1296.59 | nm    |  |
|   | L5         | $\lambda_{c5}$ | 1299.02 | 1300.06 | 1301.09 | nm    |  |
|   | L6         | $\lambda_{c6}$ | 1303.54 | 1304.59 | 1305.63 | nm    |  |
|   | L7         | $\lambda_{c7}$ | 1308.09 | 1309.14 | 1310.19 | nm    |  |
| <b>Side Mode Suppression Ratio</b>  | SMSR       | 30             |         |         | dB      |       |  |
| <b>Total Average Launch Power</b>   | AOPT       |                |         | 14.6    | dBm     |       |  |
| <b>Average Launch Power, each lane</b>  | AOPL       | 0.6            |         | 5.6     | dBm     | 1     |  |
| <b>Outer Optical Modulation Amplitude (OMA<sub>outer</sub>), each Lane</b>    | TOMA       | 2.4            |         | 6.4     | dBm     |       |  |
| <b>Difference in Launch Power between any two Lanes (OMA<sub>outer</sub>)</b> | DT OMA     |                |         | 4       | dB      |       |  |
| <b>Launch Power in OMA<sub>outer</sub> minus TDECQ, each lane</b>             | TOMA,TDECQ | 1              |         |         | dBm     |       |  |
| <b>Transmitter and Dispersion Eye Closure for PAM4 (TDECQ), each lane</b>     | TDECQ      |                |         | 3.4     | dB      |       |  |
| <b>TDECQ-10log<sub>10</sub>(Ceg)</b>  |            |                |         | 3.4     | dB      |       |  |
| <b>Average Launch Powr of OFF Transmitter, each land</b>                      | TOFF       |                |         | -30     | dBm     |       |  |
| <b>Extinction Ratio</b>   | ER         | 6              |         |         | dB      |       |  |
| <b>RIN<sub>15OMA</sub></b>  | RIN        |                |         | -132    | dB/Hz   | 1     |  |
| <b>Optical Return Loss Tolerance</b>  | ORL        |                |         | 15      | dB      |       |  |
| <b>Transmitter Reflectance</b>  | TR         |                |         | -26     | dB      | 2     |  |
| <b>Receiver</b>   |            |                |         |         |         |       |  |
| <b>Receiver wavelengths</b>   | L0         | $\lambda_{c0}$ | 1272.55 | 1273.55 | 1274.54 | nm    |  |
|   | L1         | $\lambda_{c1}$ | 1276.89 | 1277.89 | 1278.89 | nm    |  |
|   | L2         | $\lambda_{c2}$ | 1281.25 | 1282.26 | 1283.27 | nm    |  |
|   | L3         | $\lambda_{c3}$ | 1285.65 | 1286.67 | 1287.68 | nm    |  |
|   | L4         | $\lambda_{c4}$ | 1294.53 | 1295.56 | 1296.59 | nm    |  |
|   | L5         | $\lambda_{c5}$ | 1299.02 | 1300.06 | 1301.09 | nm    |  |
|   | L6         | $\lambda_{c6}$ | 1303.54 | 1304.59 | 1305.63 | nm    |  |
|   | L7         | $\lambda_{c7}$ | 1308.09 | 1309.14 | 1310.19 | nm    |  |
| <b>Damage Threshold, each Lane</b>  | AOPD       | -3.4           |         |         | dBm     |       |  |

|   |        |      |      |                       |     |   |
|---|--------|------|------|-----------------------|-----|---|
| Average Receive Power, each Lane                              | AOPR   | 18.6 |      | -4.4                  | dBm |   |
| Receiver Power (OMAouter), each Lane                          | OMAR   |      |      | -3.6                  | dBm |   |
| Difference in Receiver Power between any two Lanes (OMAouter) | DR_OMA |      |      | 5.8                   | dB  |   |
| Receiver Reflectance  | RR     |      |      | -26                   | dB  |   |
| Receiver Sensitivity (OMAouter), each Lane                    | SOMA   | -    |      | Max(-16.1, SECQ-17.5) | dBm | 3 |
| Stressed Receiver Sensitivity (OMAouter), each Lane           | SRS    |      |      | -14.1                 | dBm | 4 |
| <b>Conditions of stressed receiver sensitivity test:</b>      |        |      |      |                       |     |   |
| Stressed eye closure for PAM4 (SECQ), lane under test         |        |      | 3.4  |                       | dB  |   |
| SECQ-10log10(Ceg), lane under test                            |        |      |      | 3.4                   | dB  |   |
| OMAouter of each aggressor lane                               |        |      | -8.3 |                       | dBm |   |

**Notes:**

1. Average launch power, each lane (min) is informative and not the principle of signal strength
2. Transmitter reflectance is defined looking into the transmitter
3. Receiver sensitivity (OMAouter), each lane (max) is informative and is defined for a transmitter with SECQ of 1.4 dB.
4. Measured with conformance test signal at TP3 for the BER =  $2.4 \times 10^{-4}$

**Timing for Soft Control and Status Functions**

| Parameter               | Symbol            | Min | Max  | Unit | Notes       |
|-------------------------|-------------------|-----|------|------|-------------|
| MgmtInit Duration       |                   |     | 2000 | ms   |             |
| ResetL Assert Time      | t_reset_init      | 10  |      | μs   |             |
| IntL Assert Time        | ton_IntL          |     | 200  | ms   |             |
| IntL Deassert Time      | toff_IntL         |     | 500  | μs   |             |
| Rx LOS Assert Time      | ton_losf          |     | 100  | ms   |             |
| Flag Assert Time        | ton_flag          |     | 200  | ms   |             |
| Mask Assert Time        | ton_mask          |     | 100  | ms   |             |
| Mask Deassert Time      | toff_mask         |     | 100  | ms   |             |
| Module Select Wait Time | ModSelL Wait Time |     | N/A  |      | Not support |

### I/O Timing for Squelch and Disable

| Parameter                            | Symbol      | Min | Max  | Unit | Notes               |
|--------------------------------------|-------------|-----|------|------|---------------------|
| Rx Squelch Assert Time               | ton_Rxsq    |     | 50   | ms   |                     |
| Tx Squelch Assert Time               | ton_Txsq    |     | 400  | ms   |                     |
| Tx Squelch Deassert Time             | toff_Txsq   |     | 1500 | ms   | Based on Modulation |
| Tx Disable Assert Time (fast mode)   | ton_Txdisf  |     | 3    | ms   |                     |
| Tx Disable Deassert Time (fast mode) | toff_Txdisf |     | 10   | ms   |                     |
| Rx Output Disable Assert Time        | ton_Rxdis   |     | 100  | ms   |                     |
| Rx Output Disable Deassert Time      | toff_Rxdis  |     | 100  | ms   |                     |
| Squelch Disable Assert Time          | ton_sqdis   |     | N/A  | ms   | Not support         |
| Squelch Disable Deassert Time        | toff_sqdis  |     | N/A  | ms   | Not support         |

### Digital Diagnostics

| Parameter                    | Range         | Accuracy | Unit | Calibration |
|------------------------------|---------------|----------|------|-------------|
| Temperature                  | 0 to 70       | ±3       | °C   | Internal    |
| Voltage                      | 0 to VCC      | 0.1      | V    | Internal    |
| Tx Bias Current (Each Lane)  | 0 to 100      | 10%      | mA   | Internal    |
| Tx Output Power (Each Lane)  | -0.6 to +5.6  | ±3       | dB   | Internal    |
| Rx Receive Power (Each Lane) | -18.6 to -4.4 | ±3       | dB   | Internal    |

## Pin Descriptions

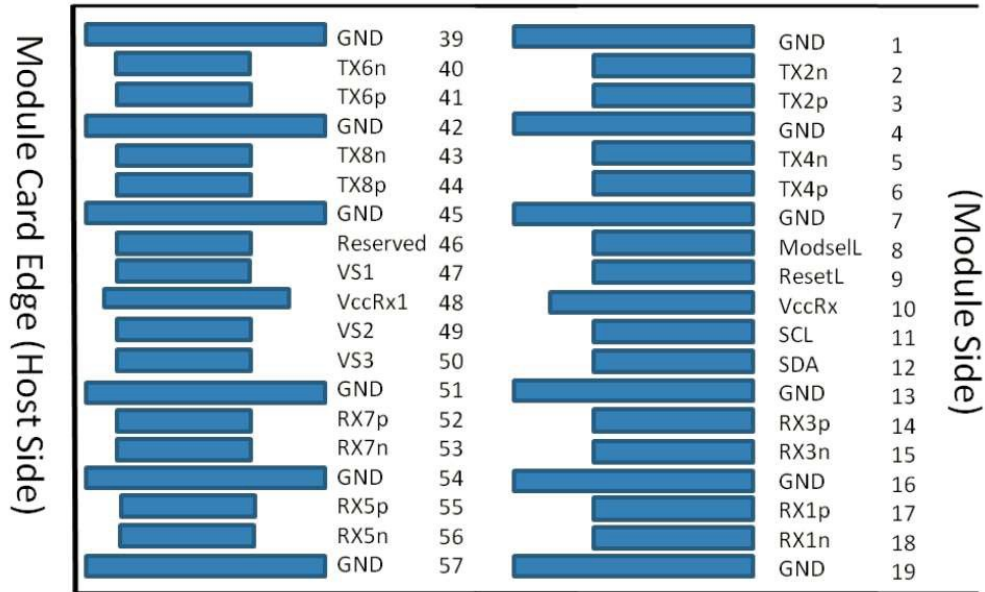
| Pin | Logic       | Symbol   | Name/Descriptions                   |
|-----|-------------|----------|-------------------------------------|
| 1   |             | GND      | Ground                              |
| 2   | CML-I       | Tx2n     | Transmitter Inverted Data Input     |
| 3   | CML-I       | Tx2p     | Transmitter Non-inverted Data Input |
| 4   |             | GND      | Ground                              |
| 5   | CML-I       | Tx4n     | Transmitter Inverted Data Input     |
| 6   | CML-I       | Tx4p     | Transmitter Non-inverted Data Input |
| 7   |             | GND      | Ground                              |
| 8   | LVTTTL-I    | ModSelL  | Module Select                       |
| 9   | LVTTTL-I    | ResetL   | Module Reset                        |
| 10  |             | VccRx    | +3.3V Power Supply Receiver         |
| 11  | LVC MOS-I/O | SCL      | 2-wire serial interface clock       |
| 12  | LVC MOS-I/O | SDA      | 2-wire serial interface data        |
| 13  |             | GND      | Ground                              |
| 14  | CML-O       | Rx3p     | Receiver Non-inverted Data Output   |
| 15  | CML-O       | Rx3n     | Receiver Inverted Data Output       |
| 16  |             | GND      | Ground                              |
| 17  | CML-O       | Rx1p     | Receiver Non-inverted Data Output   |
| 18  | CML-O       | Rx1n     | Receiver Inverted Data Output       |
| 19  |             | GND      | Ground                              |
| 20  |             | GND      | Ground                              |
| 21  | CML-O       | Rx2n     | Receiver Inverted Data Output       |
| 22  | CML-O       | Rx2p     | Receiver Non-inverted Data Output   |
| 23  |             | GND      | Ground                              |
| 24  | CML-O       | Rx4n     | Receiver Inverted Data Output       |
| 25  | CML-O       | Rx4p     | Receiver Non-inverted Data Output   |
| 26  |             | GND      | Ground                              |
| 27  | LVTTTL-O    | ModPrsL  | Module Present                      |
| 28  | LVTTTL-O    | IntL     | Interrupt                           |
| 29  |             | VccTx    | +3.3V Power Supply Transmitter      |
| 30  |             | Vcc1     | +3.3V Power Supply                  |
| 31  | LVTTTL-I    | InitMode | Initialization mode                 |
| 32  |             | GND      | Ground                              |
| 33  | CML-I       | Tx3p     | Transmitter Non-inverted Data Input |
| 34  | CML-I       | Tx3n     | Transmitter Inverted Data Input     |
| 35  |             | GND      | Ground                              |
| 36  | CML-I       | Tx1p     | Transmitter Non-inverted Data Input |
| 37  | CML-I       | Tx1n     | Transmitter Inverted Data Input     |
| 38  |             | GND      | Ground                              |
| 39  |             | GND      | Ground                              |

|    |       |          |                                     |
|----|-------|----------|-------------------------------------|
| 40 | CML-I | Tx6n     | Transmitter Inverted Data Input     |
| 41 | CML-I | Tx6p     | Transmitter Non-inverted Data Input |
| 42 |       | GND      | Ground                              |
| 43 | CML-I | Tx8n     | Transmitter Inverted Data Input     |
| 44 | CML-I | Tx8p     | Transmitter Non-inverted Data Input |
| 45 |       | GND      | Ground                              |
| 46 |       | Reserved |                                     |
| 47 |       | VS1      | Module Vendor Specific 1            |
| 48 |       | VccRx1   | 3.3V Power Supply                   |
| 49 |       | VS2      | Module Vendor Specific 2            |
| 50 |       | VS3      | Module Vendor Specific 3            |
| 51 |       | GND      | Ground                              |
| 52 | CML-O | Rx7p     | Receiver Non-inverted Data Output   |
| 53 | CML-O | Rx7n     | Receiver Inverted Data Output       |
| 54 |       | GND      | Ground                              |
| 55 | CML-O | Rx5p     | Receiver Non-inverted Data Output   |
| 56 | CML-O | Rx5n     | Receiver Inverted Data Output       |
| 57 |       | GND      | Ground                              |
| 58 |       | GND      | Ground                              |
| 59 | CML-O | Rx6n     | Receiver Inverted Data Output       |
| 60 | CML-O | Rx6p     | Receiver Non-inverted Data Output   |
| 61 |       | GND      | Ground                              |
| 62 | CML-O | Rx8n     | Receiver Inverted Data Output       |
| 63 | CML-O | Rx8p     | Receiver Non-inverted Data Output   |
| 64 |       | GND      | Ground                              |
| 65 |       | NC       | Not connected                       |
| 66 |       | Reserved |                                     |
| 67 |       | VccTx1   | 3.3V Power Supply                   |
| 68 |       | Vcc2     | 3.3V Power Supply                   |
| 69 |       | Reserved |                                     |
| 70 |       | GND      | Ground                              |
| 71 | CML-I | Tx7p     | Transmitter Non-inverted Data Input |
| 72 | CML-I | Tx7n     | Transmitter Inverted Data Input     |
| 73 |       | GND      | Ground                              |
| 74 | CML-I | Tx5p     | Transmitter Non-inverted Data Input |
| 75 | CML-I | Tx5n     | Transmitter Inverted Data Input     |
| 76 |       | GND      | Ground                              |

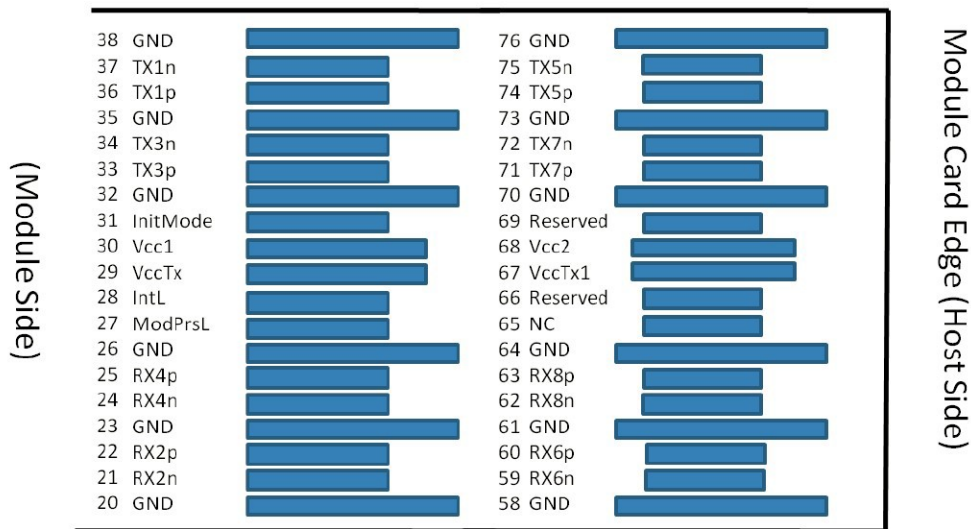
**Notes:**

1. Circuit ground is internally isolated from chassis ground.

# MSA Compliant Connector



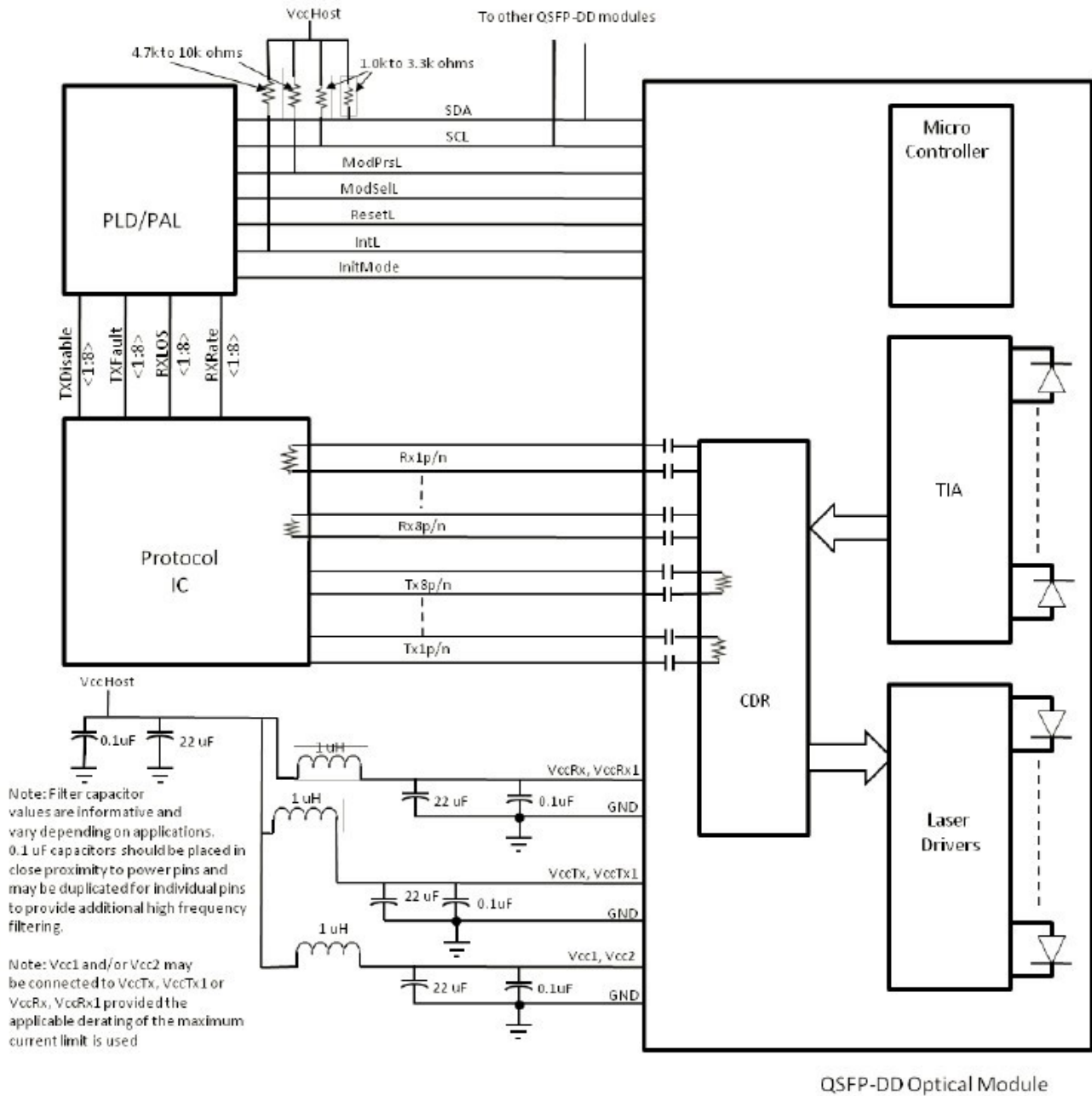
Bottom side viewed from bottom



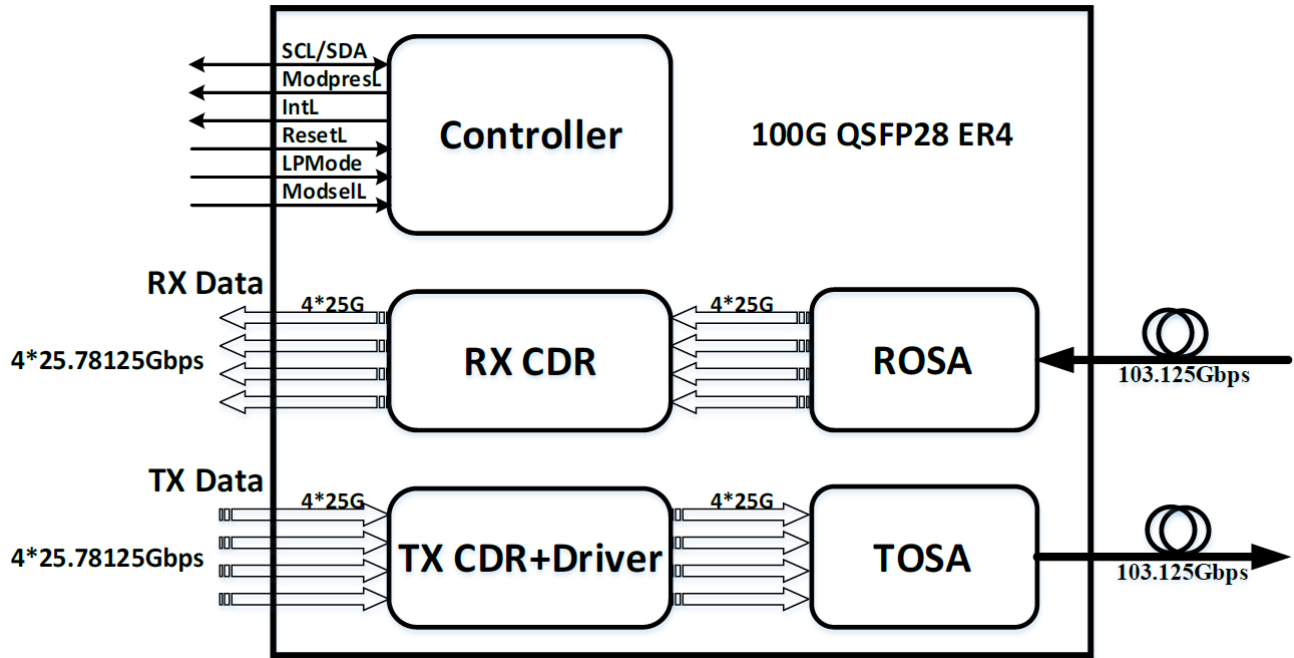
Top side viewed from top

Pin definitions of the module high speed inputs/outputs

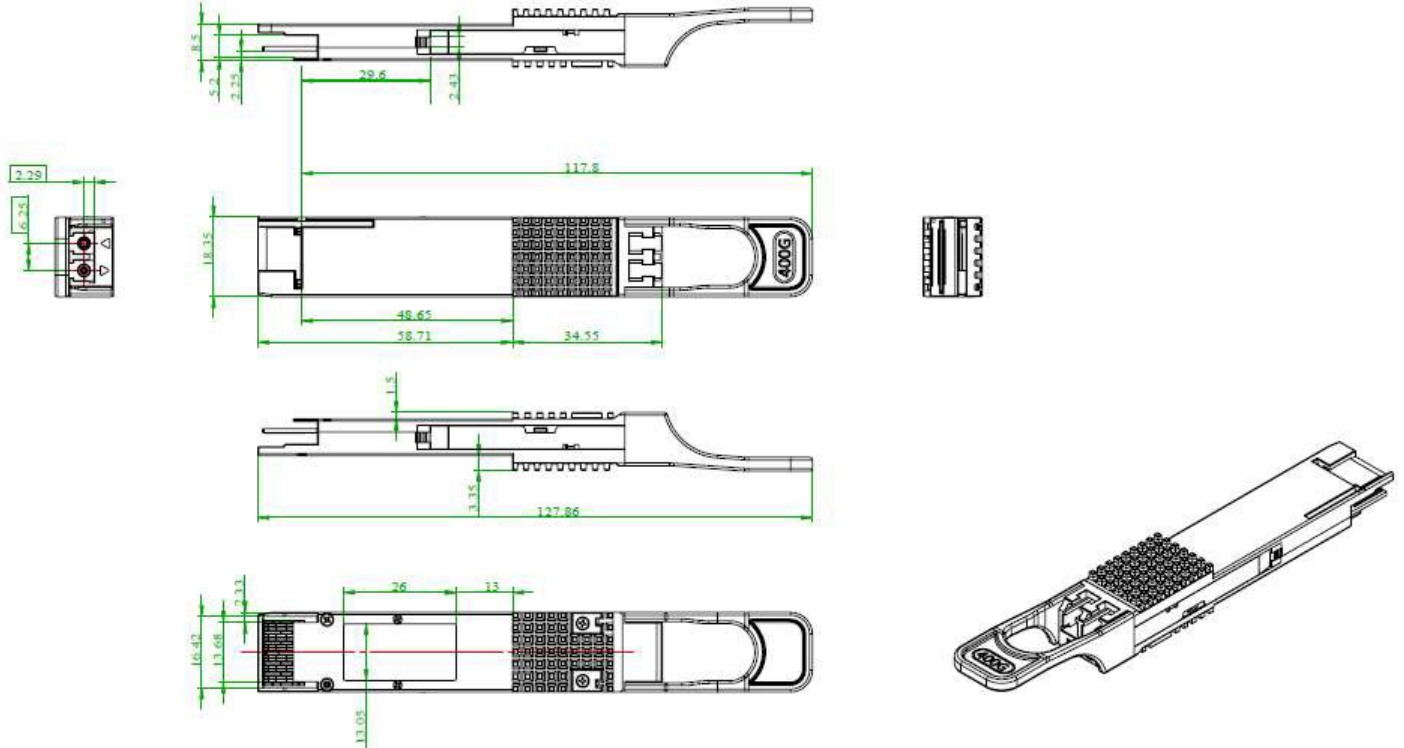
## Recommended QSFP-DD Host Board Schematic



## Transceiver Block Diagram



## Mechanical Specifications



## About ProLabs

Our experience comes as standard; for over 15 years ProLabs has delivered optical connectivity solutions that give our customers freedom and choice through our ability to provide seamless interoperability. At the heart of our company is the ability to provide state-of-the-art optical transport and connectivity solutions that are compatible with over 90 optical switching and transport platforms.

## Complete Portfolio of Network Solutions

ProLabs is focused on innovations in optical transport and connectivity. The combination of our knowledge of optics and networking equipment enables ProLabs to be your single source for optical transport and connectivity solutions from 100Mb to 400G while providing innovative solutions that increase network efficiency. We provide the optical connectivity expertise that is compatible with and enhances your switching and transport equipment.

## Trusted Partner

Customer service is our number one value. ProLabs has invested in people, labs and manufacturing capacity to ensure that you get immediate answers to your questions and compatible product when needed. With Engineering and Manufacturing offices in the U.K. and U.S. augmented by field offices throughout the U.S., U.K. and Asia, ProLabs is able to be our customers best advocate 24 hours a day.



## Contact Information

ProLabs US

Email: [sales@prolabs.com](mailto:sales@prolabs.com)

Telephone: 952-852-0252

ProLabs UK

Email: [salessupport@prolabs.com](mailto:salessupport@prolabs.com)

Telephone: +44 1285 719 600